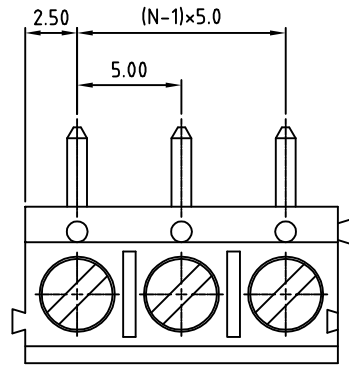


SIGN	DATE	DESCRIPTION	APPROVER
THIS IS CAD DRAWING, DO NOT REVISE MANUALLY!!!			



**Material**

- Terminal body  
(metal housing): Brass(CuZn)
- Terminal screw: Steel Zinc plating "-" slot type
- Wire guard :stainless steel
- Surface of solder tail: Tin plated
- Insulator (housing): Thermoplastic (UL94V-0)

**Electrical cULus/CSA**

- Voltage rating: 250V /250V
- Current rating: 16A /16A
- Wire range:  
Solid wire(AWG): 14 / 14-22  
Stranded wire(AWG): 16 / 14-22
- Torque : 2.6Lb-In / 4Kgf.cm
- Screw: M2.6
- Wire strip length: 5-6mm
- Withstanding Voltage: 1.5KV/ 1.5KV
- Operating temperature: -30°C to +105°C
- Soldering temperature: 250°C±10°C/5 Sec
- Safety Approval:

RoHS Compliant

PART NUMBER:

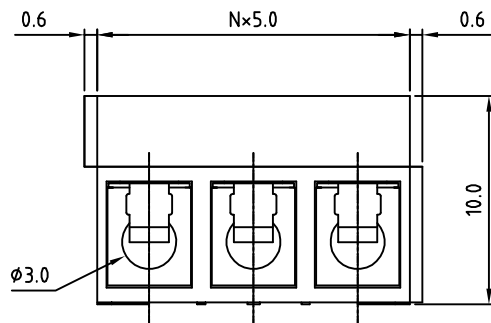
**OSTTDX0161**

No. of Poles

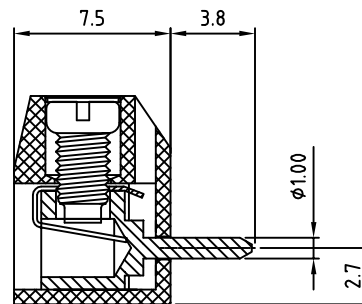
- 02: 02 Poles
- 03: 03 Poles
- ...
- 24: 24 Poles

COLOR

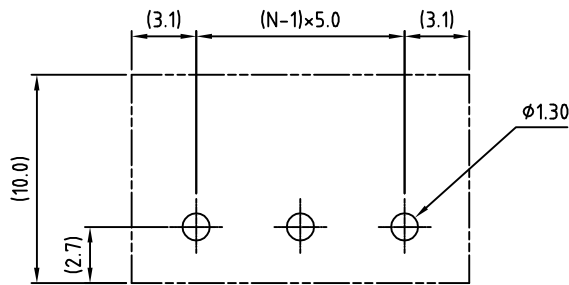
- 0: Black
- 5: Green
- 6: Blue (Standard)
- 8: Grey



N=Number of poles



**P.C.B LAYOUT**



THESE DRAWINGS AND SPECIFICATIONS ARE THE PROPERTY OF ON-SHORE TECHNOLOGY, INC. AND SHALL NOT BE REPRODUCED, COPIED OR USED IN ANY MANNER WITHOUT THE PRIOR WRITTEN CONSENT OF ON-SHORE TECHNOLOGY, INC.



TITLE		OSTTD-5.0mm series 2p-24p	
PART NO.	OSTTDX0161	DWG NO.	OSTTDX0161.DWG
APPROVED	CHECKED	DESIGNED	DRAWN
Shi Jun 2006.10.19	Marvin 2006.10.19	Marvin 2006.10.19	Marvin 2006.10.19
CUST NO.		Tolerance	
		UNIT: mm	X. ±0.50
		SCALE: NONE	X.X ±0.30
		REV: C	X.XX ±0.10
SHEET: 01/01		X° ±1°	